



**ENGINEERING
TOWARDS THE FUTURE**

ABOUT US

Established in 2006, Omni-Crest Engineering & Construction Pte Ltd is a major Engineering and Construction Contracting company in Singapore that has been involved with projects associated with a diversified range of maintenance works in the Petrochemical and Process plants. Our company has also obtained accreditation for providing services related to the Pharmaceutical and Food and Beverages Industry.

Today, Omni-Crest Engineering & Construction Pte Ltd possesses a highly competence in-house workforce capable of supporting medium-scale to large-scale engineering, maintenance and EPC projects. To ensure our competitive positioning in the industry, we invested considerably in our in-house skilled workforce and collaborate closely with our strategic partners. Our company is known for its excellent work commitment as well as providing quality products and exceptional service to customers.

Omni-Crest has also branched out to the Asia region such as Philippines whose activities involved many robust projects and maintenance work.

Over the years, our customers have also established the confidence and trust in us through our work commitment, our emphasis on high safety standards and our responsiveness, and have since continually given us the opportunities to serve them. We will continue to build on our strengths and our established reputation to achieve our vision of becoming a leading service provider and preferred business partner in the plant and engineering industry.





OUR SERVICES

PROCESS
ENGINEERING

PROJECT EXECUTION

MECHANICAL
SERVICES

ELECTRICAL &
INSTRUMENTATION
SERVICES

SCAFFOLDING

GENERAL CIVIL
ENGINEERING

SPRAY DRYER
MAINTENANCE
SERVICES

PLANT
MAINTENANCE

Over the years, our company has built a strong Engineering Team where we can develop your ideas from concept to execution. Each process is unique and has its own challenges whether is on brown field, retro-fit and green field projects, we can under take the job to meet your requirement.

Our Expertise will include

- Develop of P&ID and PFD
- Develop and select of Process and Utilities Pipe sizing and Specification
- Provision of Engineering support of all Project Lifecycle Phrase
- Selection and sizing of Process Instrumentation, Valve and Specification
- Procurement of Process Equipment's and instruments



Omni-Crest is well positioned to undertake EPC projects for various industries in Singapore and the region.

We take pride in completing projects within schedule, providing good quality and safety commitment from all our staff.

Our core competencies lie in the field of:

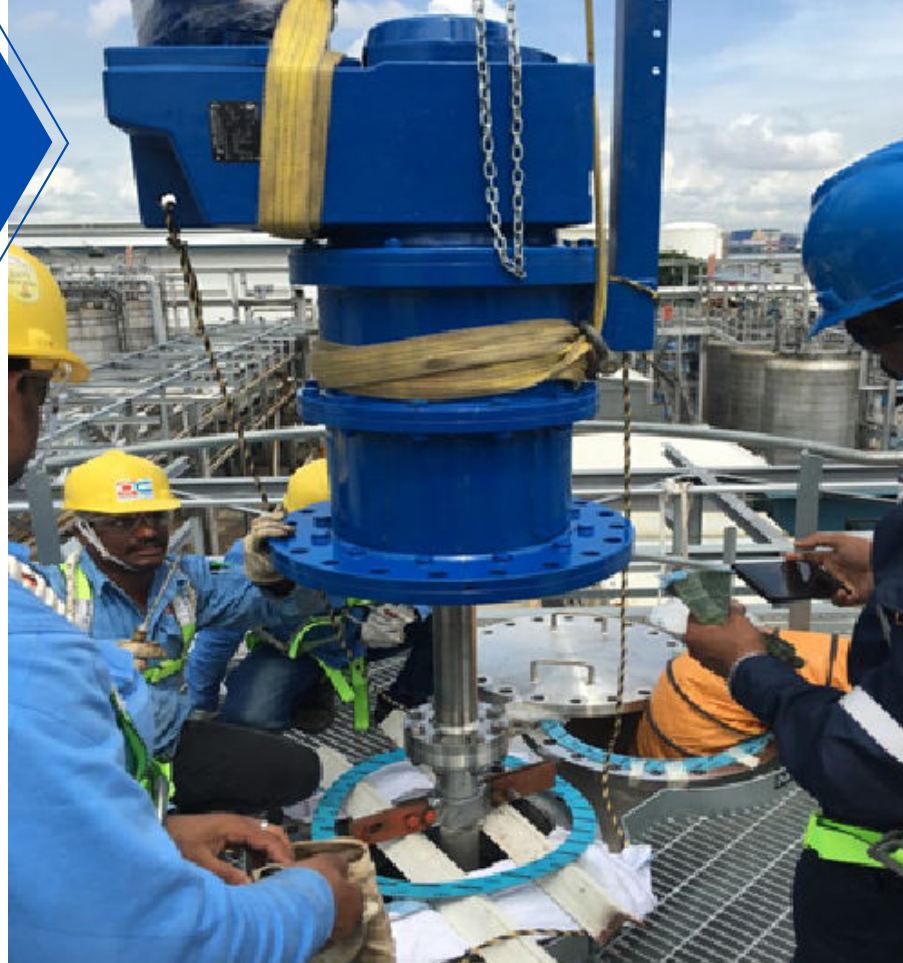
- Project Management
- Engineering
- Procurement
- Construction



DAILY PLANT MAINTENANCE

Keeping the plant in good running condition on a routine basis without affecting the operations is crucial.

Our scope would entail repair/replacement of gaskets, valves, piping, tanks, vessels, electrical and instrument trouble shooting. In general, a dedicated team is assigned on site to work with the plant operators to carry out the tasks.



PLANT TURNAROUND

Requires temporary shutdown of the plant and usually done on a planned basis. We undertake cleaning and housekeeping of the plant and maintaining equipment that cannot be serviced during normal operation.



A photograph of a complex industrial piping system with various pipes, valves, and tanks. A red rounded rectangle is overlaid on the center of the image, containing the text 'MECHANICAL SERVICES' in white capital letters.

MECHANICAL SERVICES

PIPING WORKS
STRUCTURAL ENGINEERING
TANKAGE
SKID
HEAVY LIFTING



No 21 Kian Teck Ave, Singapore 628904

T: +65 62660018

F: +65 62660042

info@omni-crest.com.sg

Our Welders are certified by qualifying agencies whom undertake various types of materials and specification required by our Customers of various industries.

Our emphasis in high precision welding quality has made us one of the main market players in the industry.

We ensure all fabrication and erection in the piping works will meet our customer requirements.

Every joint that we weld meets the highest standard requirement for various process industries.

Fabrication & erection of all types of piping specification such as

Steel Piping

- Carbon Steel
- Stainless Steel
- Sanitary Tubing
- Hastelloy Piping
- ASME BPE Tube Piping

Plastic Piping

- PP
- PVC

Composite Piping

- PTFE coated pipes



Includes Pre fabrication and installations of various type of structural with different material required by the industrial such as,

- Pipe Shoe and supports
- Pipe Rack
- Platform
 - Equipment platform
 - Operator platform
- Building Structural



Our Company has a meticulous and experienced team whom can design, sizing, pre fabricate and site installation of different types of storage that is required by different Industries need such as,

- Process tank / vessel
- Spray Dryer
- Storage Silo



Our Team has the expertise to include all Electrical and Instrumentation works in the project that involves designing, spacing, sizing, fabricate and installation of various types of Skid.

- CIP Skid
- Hot water skid
- Food Process skids
- Dairy Skids
- DI and Purified water skid



We have a team of experienced Engineers and handling specialists with proven knowledge and extensive experience in machinery moving, lifting, dismantling and positioning.

We are committed to Safety where all of the requirement from the local, international standard are fully compliance.



- Design of the control Panels
- Design of the IO List from P&ID's
- Instrument Selection and Specification Analysis
- Electrical, Instrument & Control Circuit Design
- SLD Drawings
- Installation of Cable Trays, Conduits & Cable Ladders
- Cable Laying, Glanding & Termination
- Loop Check, Testing & Commissioning
- SYSTEM TROUBLE SHOOTING
- Field Instrument Installation



Scaffolding services had been set up from 2016 to Present.

Our Company Provide Solutions for our clients especially for short lead time during their turnaround projects.

Most Clients engaged our services trusting us to assist them in reduction of cost as well.

We are Approved Scaffold Contractor certified by the Ministry of Manpower. Our Staffs are trained, certified and able to construct all types of scaffold for Plant Owners and Contractors for carrying out work inspection of new constructions and maintenance works. With our sizeable inventory of scaffold materials, it enabled us to take on major construction projects and maintenance contracts in all types of Industries. We also had material reserve for Clean Room or any hygienic requirement.



- Excavation
- Replacement and repair of drainage systems
- Plastering
- Coring works
- Walkway or fencing installation
- Construct of Machinery footing, plinths, slab and road curb.
- Plant demolition works.
- Floor epoxy coating works.



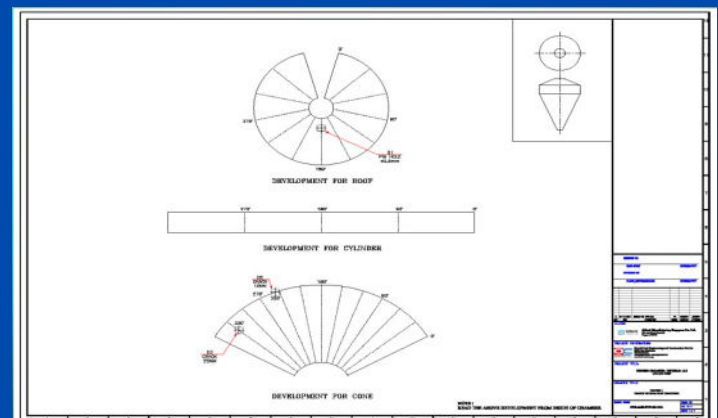
We provide a non-destructive testing and inspection services to a wide range of industries, specializing in integrity testing to the Food & Beverage , Dairy and pharmaceuticals industry. We are trusted by clients in the industry for the niche expertise that we offer such as

- Spray Dryer Crack Testing
- Inspection of Dryer
- Repair works on defects (welding and polishing)

OC scanner is an emerging tool of detecting defects, such as cracks, pinholes, incomplete weld fusion, corrosion cavities, porosity and other defects that may cause contamination and/or cross-contamination of the finished product in stainless steel pressure and non pressure vessels by using a special design scanner. Replacing the old school technique by using dye penetrant that require the vessel to be removed from service, CIP Cleaned, access equipment erected and Chemical Dye Penetrants sprayed onto the surface. The old procedures resulted in lost production time and the possibility of introducing chemical contaminants into the product path of the vessel.

Our method has been developed as an alternative and more cost-effective testing method to dye penetrants. It is able to detect surface and sub surface defects electronically, without the use of harmful or non-food safe chemicals.

Please contact us to find out more how time efficiency and effectiveness can be achieved.





No 21 Kian Teck Ave, Singapore 628904

Tel: +65 62660018 Fax: +65 62660042 info@omni-crest.com.sg